

## DESCRIPTION

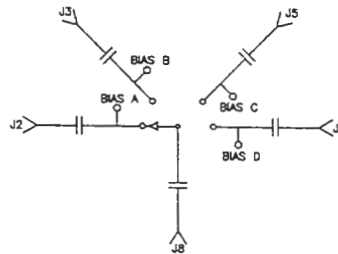
AMC MODEL SWN-1140-4DR-STANDARD OPTION: 118, HS25NS IS A 1 TO 18 GHz, REFLECTIVE SINGLE POLE FOUR THROW SWITCH HAVING AN ISOLATION OF 60 dB MINIMUM BETWEEN 1 TO 2 GHz, 70 dB MINIMUM BETWEEN 2 TO 18 GHz, AN INSERTION LOSS OF 3.0 dB MAXIMUM AND A VSWR OF 2.0:1.

## SPECIFICATIONS:

- FREQUENCY: . . . . . 1 GHz TO 18 GHz
- INSERTION LOSS: . . . . . 3.0 dB MAXIMUM
- ISOLATION: . . . . . 1 GHz TO 2 GHz: 60db MINIMUM  
2 GHz TO 18 GHz: 70db MINIMUM
- VSWR: . . . . . 2.0:1
- SPEED: . . . . . RISE: 10ns TYPICAL, 15ns MAX.  
FALL: 10ns TYPICAL, 15ns MAX.  
DELAY ON: 25ns  
DELAY OFF: 25ns
- POWER INPUT: . . . . . (CW)+20dBm (STANDARD), +10 dBm (HIGH SPEED)
- SURVIVAL POWER: . . . . . 1 WATT CW, 10 WATTS PEAK 1 usec
- CONTROL: . . . . . TTL LOGIC "0"=ON "1"=OFF
- POWER SUPPLY: . . . . . +5V @ 200 mA MAX.  
-5V @ 75mA MAX.(RELECTIVE)

## OPTIONS:

- 118 . . . . . 1 GHz TO 18 GHz (NO CHANGE IN INSERTION LOSS)
- HS25NS . . . . . 25 nSec DELAY PLUS RISE TIME OR DELAY PLUS FALL TIME



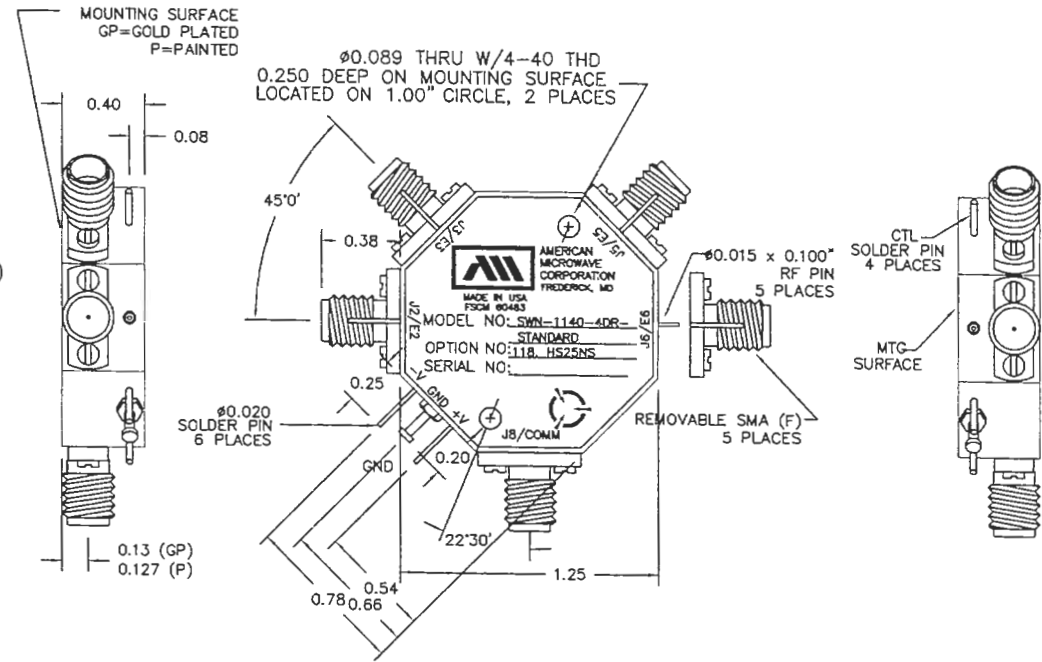
## ENVIRONMENTAL RATINGS

- TEMPERATURE: . . . . . -55°C TO +85°C (OPERATING)  
-65°C TO +125°C (STORAGE)
- HUMIDITY: . . . . . MIL-STD-202F, METHOD 103B COND. B
- SHOCK: . . . . . MIL-STD-202F, METHOD 213B COND. B
- VIBRATION: . . . . . MIL-STD-202F, METHOD 204D COND. B
- ALTITUDE: . . . . . MIL-STD-202F, METHOD 105C COND. B
- TEMPERATURE CYCLE: . . . . . MIL-STD-202F, METHOD 107D COND. A

NOTE: SPECIFICATIONS WILL VARY OVER OPERATING TEMPERATURE  
NOTE: THE ABOVE SPECIFICATIONS ARE SUBJECT TO CHANGE OR REVISION

ALL DIMENSIONS ARE IN INCHES  
TOLERANCES:  
X.XX ±0.020  
X.XXX ±0.010

REVISIONS				
ZONE	REV.	DESCRIPTION	DATE	APPROVED
	-	ORIGINAL RELEASE	4/22/04	



## AMERICAN MICROWAVE CORPORATION

7311-G GROVE ROAD  
FREDERICK, MARYLAND 21704 USA  
TEL: 301-662-4700 FAX: 301-662-4938  
WEBSITE: [www.americanmicrowavecorp.com](http://www.americanmicrowavecorp.com)  
E-MAIL: [sales@americanmicrowavecorp.com](mailto:sales@americanmicrowavecorp.com)  
ISO 9001:2000 CERTIFIED



APPROVALS		DATE	TITLE		
DRAWN <i>EFE</i>		4/22/04	PRODUCT FEATURE SWN-1140-4DR-STANDARD OPTION: 118, HS25NS 1 TO 18 GHz, SINGLE POLE FOUR THROW SWITCH		
REDRAWN <i>LDJ</i>		8/30/04	SIZE	FSCM NO.	DWG NO.
ISSUED <i>CH</i>		<i>4/22/04</i>	A	60483	100-6976
			SCALE	N:S	SHEET 1 OF 3